



# MOOVINATOR 4824HLLeRFG W/ 24 ENVELOPE FILTERS

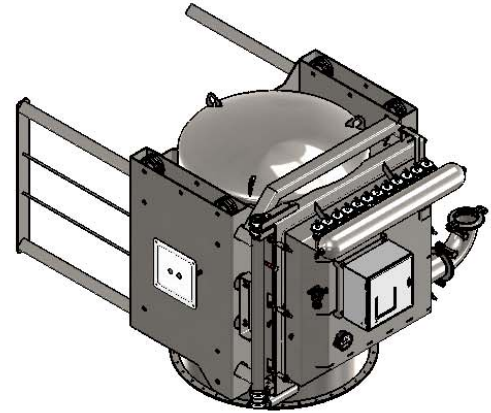
4824HLLeRFG

TITLE

DRAWING NO.

### Application:

The Moovinator horizontal load filter receiver is used to separate conveyer system air from product at the end of a pneumatic conveyer run. It can be used both with pressure and vacuum systems and is an excellent option for applications where there are headroom restrictions. Its tool-free quick take-apart design allows for quick access to both filter media and surge bin.



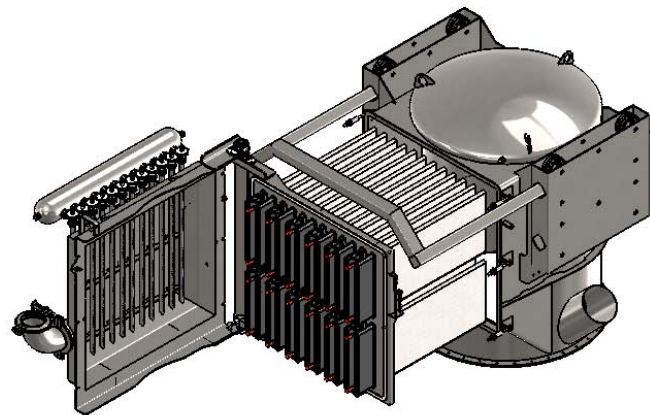
### System Features:

Moovinator HL series filter receivers are designed for sanitation, tool-free access, and operator ergonomics:

- Combination of sliding and pivoting hinge mechanism provides quick, full access to filter media and bin interior.
- Horizontal filter design provides an excellent solution for low head room applications.
- Pulse jet technology allows for continuous bag cleaning and retains product fines that would typically be lost in remotely mounted filter applications.
- Angled separator inlet reduces product degradation.

### Optional Features:

- USDA version available upon request.
- Modular design allows for a wide range of discharge equipment including surge bins, live bottom bins, airlock hoppers, volumetric feeders, and loss-in-weight assemblies.
- CIP adapter plate may be purchased separately.



### Technical Specifications:

- Stainless steel construction w/ food grade and USDA finishes available.
- Pulse jet timerboard: 24VDC/120VAC.
- Compressed air header: 80-100 psi compressed air required.
- Filter media: (24) envelope style, polyester w/ PTFE membrane, singed, and grounding strips available.
- Support cages available in carbon or stainless steel.
- Rated conveyer line size:  $\phi$  6" batch,  $\phi$  5" continuous.

DRAWN BY  
MHC

SCALE  
1:48

DATE  
4.26.11

4

3

2

1

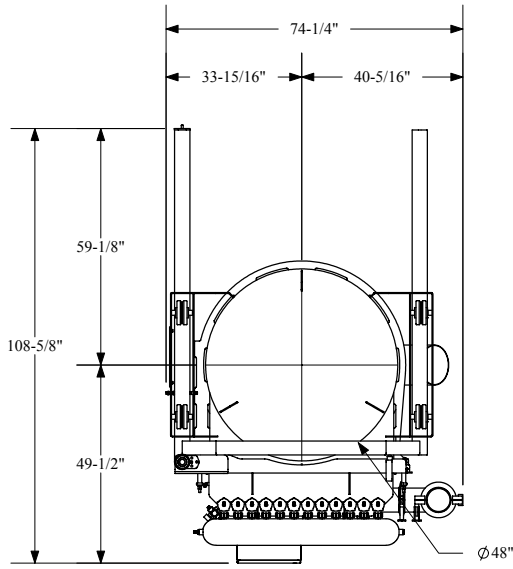


MOOVINATOR  
4824HLerFG W/ 24 ENVELOPE FILTERS

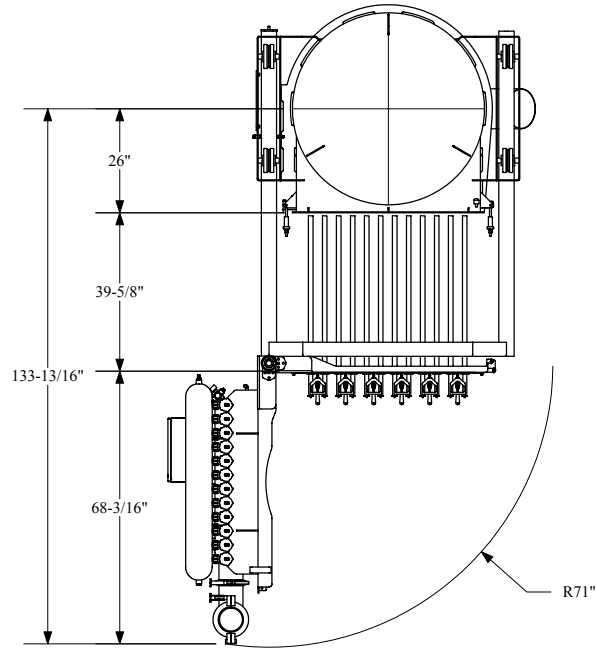
4824HLerFG

TITLE

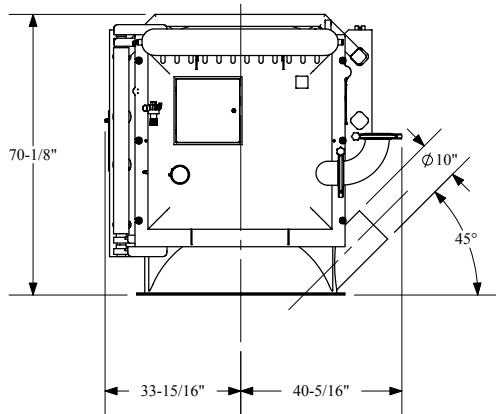
DRAWING NO.



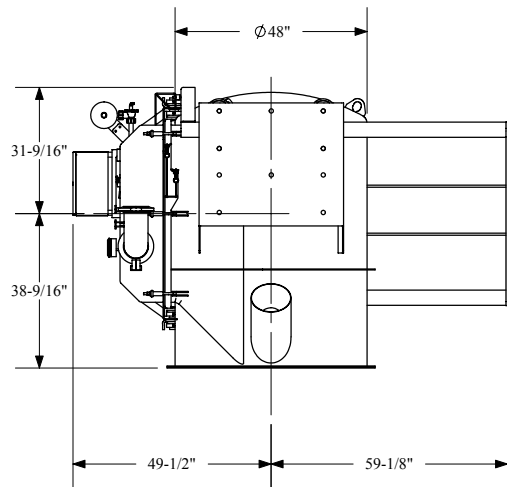
PLAN VIEW



FILTER ACCESS



FRONT VIEW



SIDE VIEW

DRAWN BY MHC	SCALE 1:48	DATE 4.26.11
-----------------	---------------	-----------------