



# PROCESS BIN ACTIVATOR

BAXXXXFG-X

TITLE

DRAWING NO.

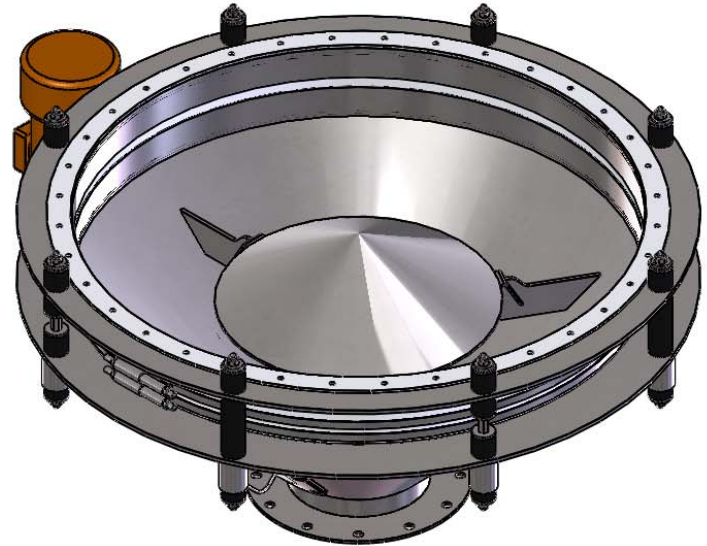
### Application:

The HAF Process Bin Activator is a live bin bottom that aids in product discharge for sticky powders and has been specifically designed for process vessels. The time proven concept utilizes a variable force electric vibration motor along with an unique geometry to coerce even the most difficult materials to a full bin discharge.

### System Features:

The bin activator system is designed with an emphasis on sanitation and safety:

- Raised product baffle prevents bridging and is fully enclosed.
- Designed for vacuum service up to 15" HG.
- Vibration mounts isolate damaging vibration from support members.
- All interior surfaces angled to promote product discharge and remove ledges.
- Modular design allows for a variety of applications.



### Optional Features:

- USDA and carbon steel versions available upon request.
- Bolt on access doors can be added when frequent cleaning and inspections are required.
- Flanged or stub discharge available dependant on application.
- Flange mounted discharge valve available.
- Additional custom options available upon request.

### Technical Specifications:

- Stainless steel construction w/ food grade and USDA finishes available.
- Vibration motor: 230-460/3/60. (see reverse for hp)

### Part Number Configuration:

BA-4812FG-F

HOPPER DIAMETER  
- 20, 24, 32, 40, 48, 60, 72

DISCHARGE DIAMETER  
- 04, 06, 08, 10, 12, 14

DISCHARGE CONFIGURATION  
- F - FLANGED (STD ANSI)  
- S - STUB

FINISH SPECIFICATION  
- FG - FOOD GRADE  
- UD - USDA (3A DAIRY)  
- CS - CARBON STEEL CONSTRUCTION

DRAWN BY MHC	SCALE 1:16	DATE 4.25.11
-----------------	---------------	-----------------

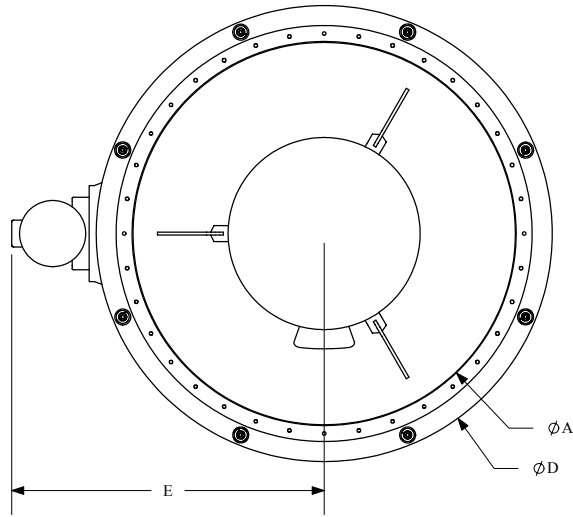


# PROCESS BIN ACTIVATOR

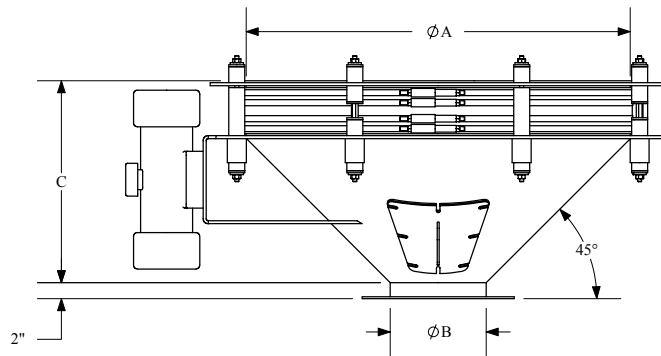
BAXXXXFG-X

TITLE

DRAWING NO.



PLAN VIEW



FRONT VIEW

P/N (STANDARD)	A (IN)	B (IN)	C (IN)	D (IN)	E (IN)	HP
BA2003	20	3	17	29	23	0.37
BA2004		4	16			
BA3208	32	8	19 1/4	41	31	0.67
BA3210		10	18 1/4			
BA4008		8	23 1/4			
BA4010	40	10	22 1/4	19	33	1.2
BA4012		12	21 1/4			
BA4014		14	20 1/4			
BA4810	48	10	26 1/4	57	39	1.5
BA4812		12	25 1/4			
BA4814		14	24 1/4			
BA6010	60	10	32 1/4	69	46	1.9
BA6012		12	31 1/4			
BA6014		14	30 1/4			
BA7210	72	10	38 1/4	81	50 1/2	2.2
BA7212		12	37 1/4			
BA7214		14	36 1/4			

DRAWN BY  
MHC

SCALE  
1:24

DATE  
4.25.11