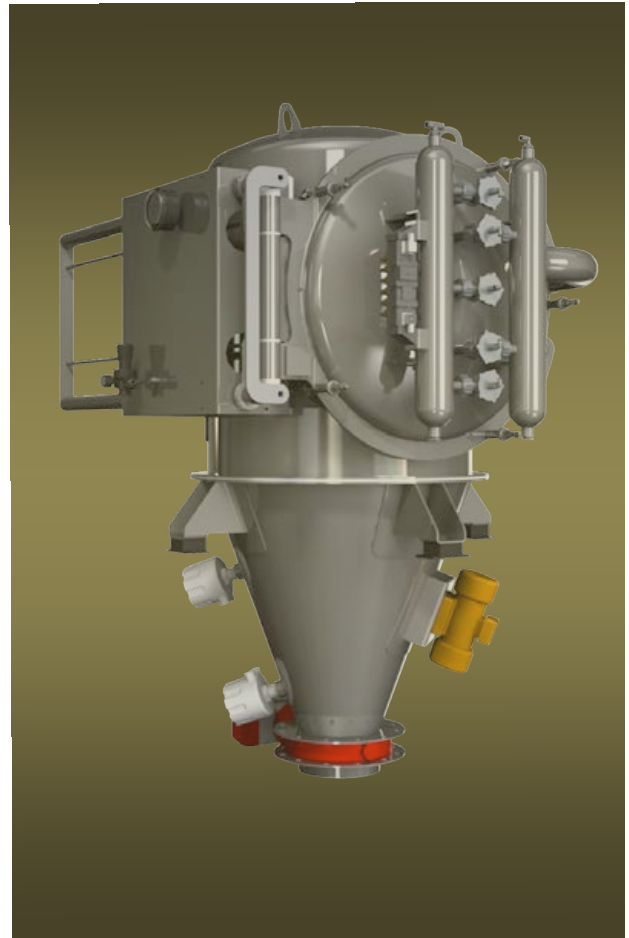


# Moovinator HL Series Filter Receiver



[www.hafequipment.com](http://www.hafequipment.com)

HAF Equipment Inc  
1255 Cope Ave East  
Maplewood MN 55109  
Phone: 651-653-5098



# Moovinator HL horizontally loaded tool free filter receivers -THE ORIGINAL Sanitary Filter Receiver

[Click here to learn more about Moovinator history and those who have tried to copy it!](#)

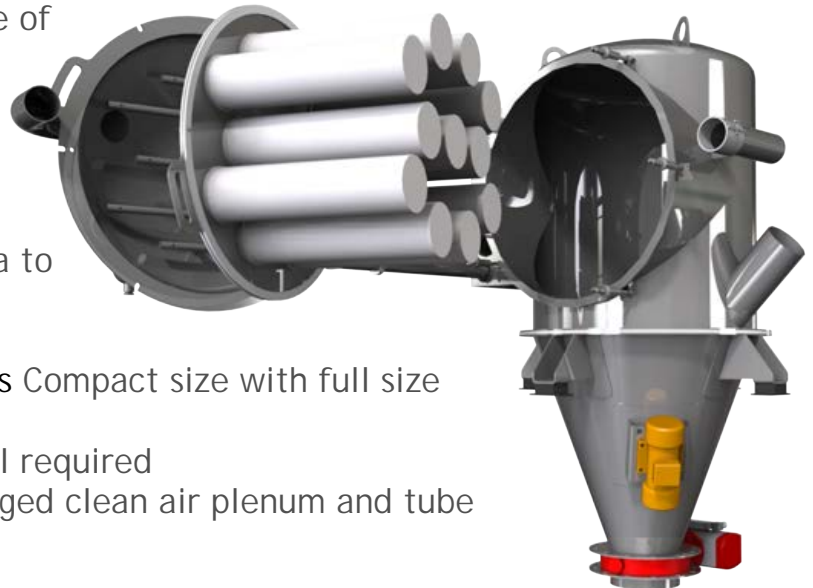
The original Moovinator was introduced to the market in 1999. Since its inception, we have spent years perfecting every aspect and detail through feedback from our customers (operators). Moovinator is the story of cutting our own path and backing it up with over 15 years of in the plant experience. Developed especially for use in process applications where fast change overs and sanitation are important. Moovinator HL works in either pressure or vacuum convey systems.

Ergonomic Horizontally loading filter media is easier.

- Tool free take apart
- No entry required for product zone cleaning
- Compact size-about %50 size of conventional filter
- Great for low headroom installations
- Exclusive velocity arrestor inlet increase convey rates
- Size range suitable for 2" dia to 5" dia convey line sizes

Sizes to match your process rates Compact size with full size capabilities

- Fixed blow pipes-no removal required
- All access from one side-hinged clean air plenum and tube sheet
- TIG Welded
- Modular constructions suitable for different configurations
- Sliding hinge and non sliding hinge options
- Filter bags-no cartridges required.



Food grade/ USDA-3A dairy/ Chemicals/ Plastics/ Nutraceuticals



[www.hafequipment.com](http://www.hafequipment.com)

HAF Equipment Inc  
1255 Cope Ave East  
Maplewood MN 55109  
Phone: 651-653-5098